

LOCK CONTROL MODULE INSTRUCTIONS

(CA-A110-P)

The CA-A110-P Lock Control Module has been specifically designed to greatly reduce installation time and simplify the connection of electromagnetic locks when used alone or in conjunction with door strikes. The CA-A110-P Lock Control Module consists of two on-board, heavy-duty 12V relays, two inputs for fire alarm contacts and two relay activation LED indicators. The relays, which are used to control power to the electromagnetic locks, are toggled by the activation of the controller's lock output terminals or the CA-A110-P's fire alarm contact inputs.

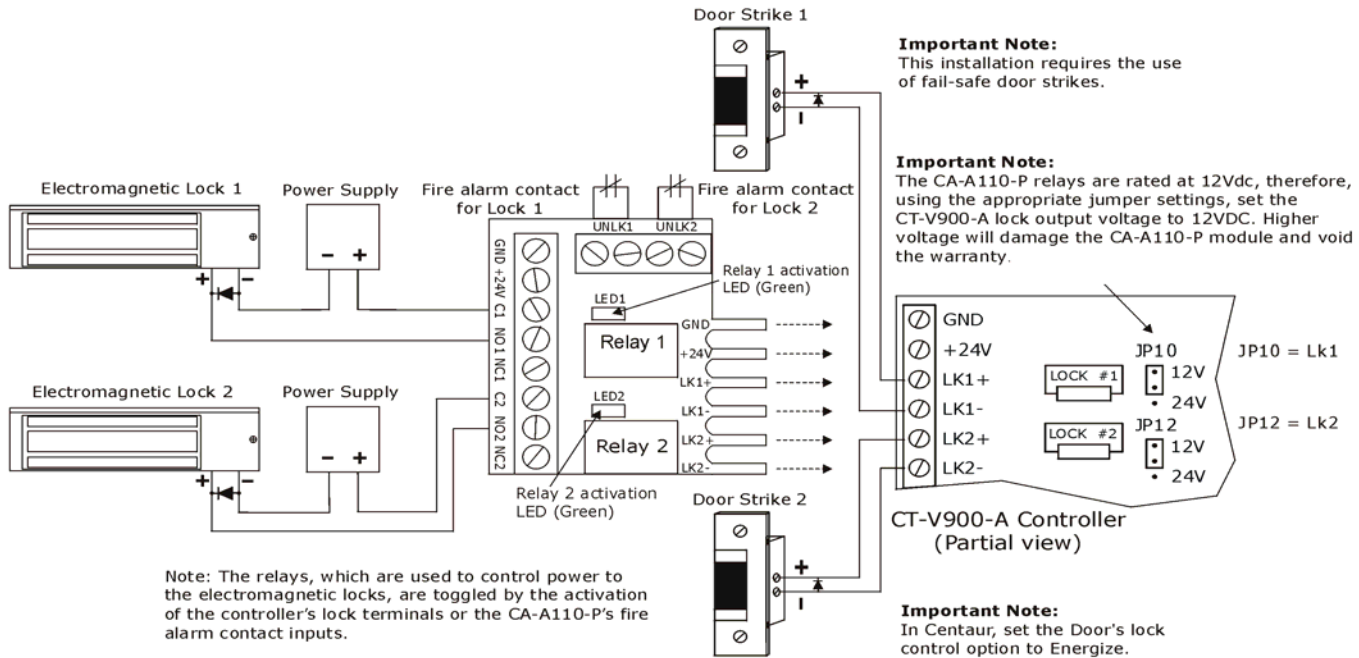
TYPICAL INSTALLATION:



The use of an extra power source is recommended when electromagnetic locks are used.



Set the CT-V900-A lock output voltage to 12VDC using the appropriate jumper settings as shown below. Higher voltage will damage the unit and void the warranty.



In the above installation, when access is granted to door 1, output LK1 will be enabled in order to remove power from door strike 1. Relay 1 of the CA-A110-P will also toggle, cutting power to electromagnetic lock 1, thus unlocking the door. In the case of a fire alarm, the fire alarm contact for Lock 1 will open, toggling relay 1 of the CA-A110-P cutting power to electromagnetic lock 1. Please note that when a relay is being activated by a controller's lock output, the appropriate Relay Activation LED (green) will illuminate.

SPECIFICATIONS:

- No external power source required, relays activated by a controller's lock outputs
- Maximum current consumption: 100mA @ 12Vdc
- CT-V900-A lock output voltage is not to exceed 12Vdc
- 2 Form C Relays: 12Vdc, 5A contact rating (with diode flyback protection)
- 2 Fire Alarm Inputs: Normally closed contacts (305m/1000 feet using 22AWG pair)
- 2 Relay Activation LED Indicators (Green)

IMPORTANT NOTES:

1. You should always consult your local building code and or fire marshal to receive the most up to date regulations that apply to the type of installation you are planning to do. Different rules may apply to different types of buildings. Knowledge of the rules before designing a system will save you time, money and possible injury to your client.
2. It is the responsibility of the designers and installation professionals to ensure that an alternative means to open or unlock the doors are provided. Some countries may accept the use of a specific manual station to unlock the door, others may require that the fire alarm system unlock the doors automatically in case a fire is detected.



1645A Autoroute Laval West (Quebec) H7L 3W3 CANANDA
Tel.: (450) 682-7945 Fax: (450) 682-9590
www.cdvamericas.com